

Part number:

096-10039a

HYDROMA

HYDRAULICKÉ SYSTÉMY

**HIDROMA
SYSTEMS**

UKŁADY HYDRAULICZNE

HYDROMA

ГИДРАВЛИЧЕСКИЕ СИСТЕМЫ

45 100/107 ED



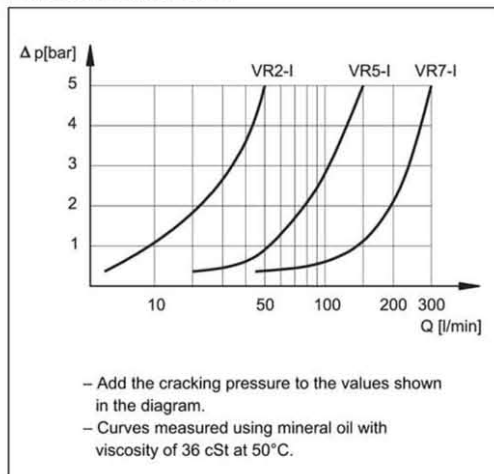
VR*-I
CHECK VALVES
SERIES 32

CARTRIDGE TYPE

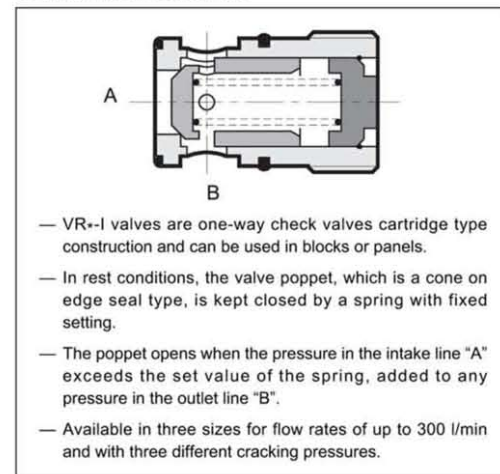
p max (see table of performances)

Q max (see table of performances)

PRESSURE DROP ΔP -Q



OPERATING PRINCIPLE

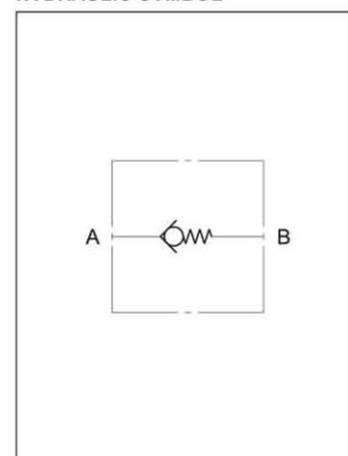


PERFORMANCES

valve code	nominal dimension	maximum flow rate [l/min]	mass [kg]	max operating pressure [bar]	
				continuous	peak
VR 2- I	1/4"	50	0,1	320	320
VR 5- I	3/4"	150	0,2	250	320
VR 7- I	1 1/4"	300	0,8		

Ambient temperature range	°C	-20 / +50
Fluid temperature range	°C	-20 / +80
Fluid viscosity range	cSt	10 ÷ 400
Fluid contamination degree	according to ISO 4406:1999 class 20/18/15	
Viscosità raccomandata	cSt	25

HYDRAULIC SYMBOL



Part number:

096-10039b

HYDROMA

HYDRAULICKÉ SYSTÉMY

**HIDROMA
SISTEMS**

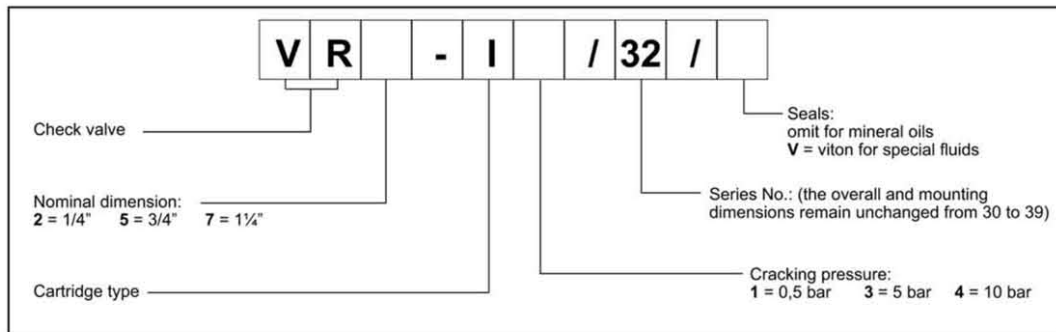
UKŁADY HYDRAULICZNE

HYDROMA

ГИДРАВЛИЧЕСКИЕ СИСТЕМЫ

VR*-I
SERIES 32

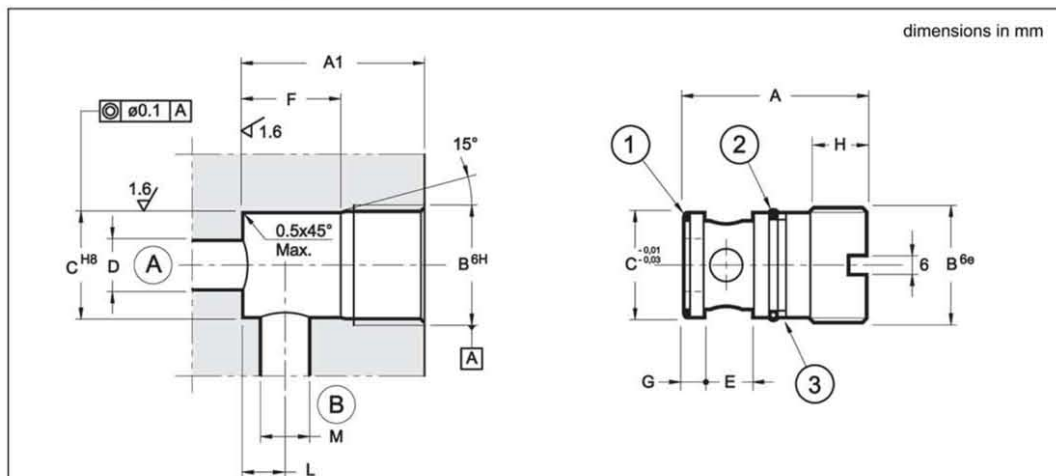
1 - IDENTIFICATION CODE



2 - HYDRAULIC FLUIDS

Use mineral oil-based hydraulic fluids HL or HM type, according to ISO 6743-4. For these fluids, use NBR seals. For fluids HFDR type (phosphate esters) use FPM seals (code V). For the use of other kinds of fluid such as HFA, HFB, HFC, please consult our technical department. Using fluids at temperatures higher than 80 °C causes a faster degradation of the fluid and of the seals characteristics. The fluid must be preserved in its physical and chemical characteristics.

3 - OVERALL AND MOUNTING DIMENSIONS



NOTE: the dimension A1 must be at least 1 mm higher than the dimension A indicated in the table herebelow.

	A	B	ØC	ØD max	E	F	G	H	L	ØM max	1	2	3	tightening torque
VR 2 - I	41	M24x1,5	22	9	10	22	4	14	9	9	OR 119 (15.08x2.62)	OR 3068 (17.13x2.62)	Parbak 8-115	25 Nm
VR 5 - I	43	M30x1,5	27	15	13,5	26	4,5	12	11	12	OR 3081 (20.24x2.62) 90 Shore	OR 2093 (23.52x1.78)	Parbak 8-021	50 Nm
VR 7 - I	72	M45x2	41	21	20	40	7,5	22	16,5	16	OR 3137 (34.60x2.62)	OR 4137 (34.52x3.53) 90 Shore	Parbak 8-220	80 Nm