

Part number:

HYDROMA

HYDRAULICKÉ SYSTÉMY

**HIDROMA
SYSTEMS**

UKŁADY HYDRAULICZNE

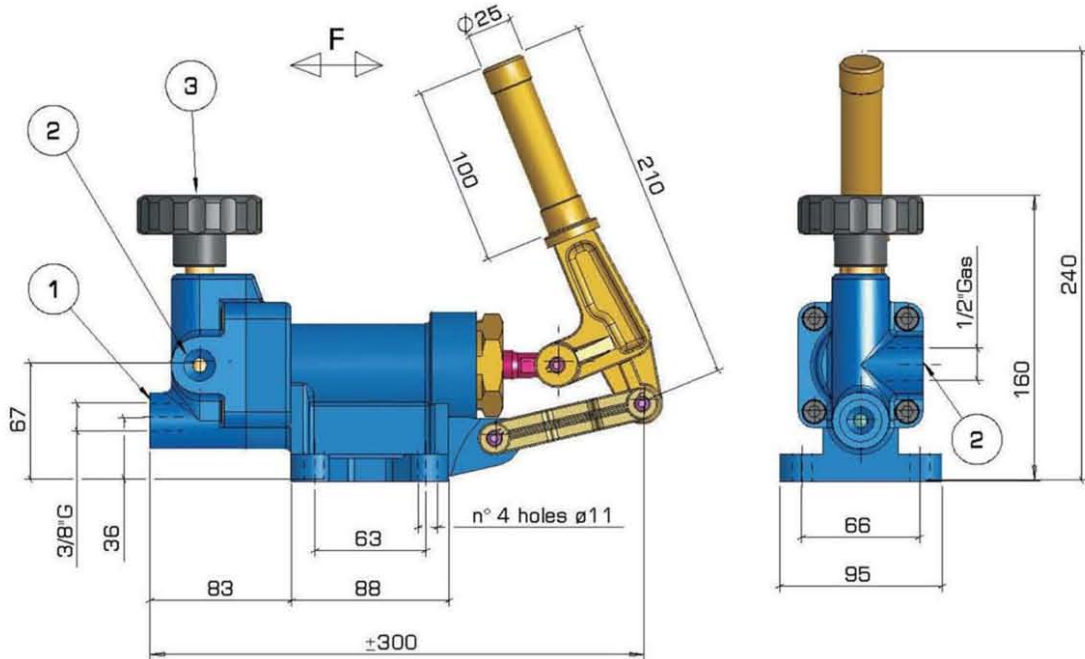
HYDROMA

ГИДРАВЛИЧЕСКИЕ СИСТЕМЫ

Hydraulic Hand Pumps - Foot Pedal Pumps
Air-Hydraulic Pumps - Accessories

Hydraulic Hand Pump Type GLR (20-30)

Double stroke function with release handknob for single acting cylinder



Materials:
Cast-iron pump housing

Weight Kg. ~6,3 - 6,5

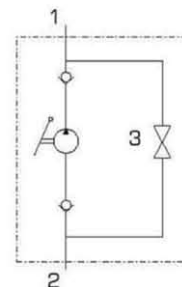
- 1 Pressure port
- 2 Suction
- 3 Release handknob

Mounting:

Any position



TYPE	DELIVERY cm ³	PRESSURE Bar
GLR 20	18	460
GLR 25	29	320
GLR 28	36	250
GLR 30	42	220



Dimensions and characteristics not binding. Modifications reserved without prior notice.