

Part number:

HYDROMA

HYDRAULICKÉ SYSTÉMY

**HIDROMA
SISTEMS**

UKŁADY HYDRAULICZNE

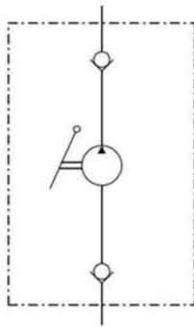
HYDROMA

ГИДРАВЛИЧЕСКИЕ СИСТЕМЫ

Hydraulic Hand Pumps - Foot Pedal Pumps
Air-Hydraulic Pumps - Accessories

Hydraulic Hand Pump Type GL (20-45)

Double stroke function



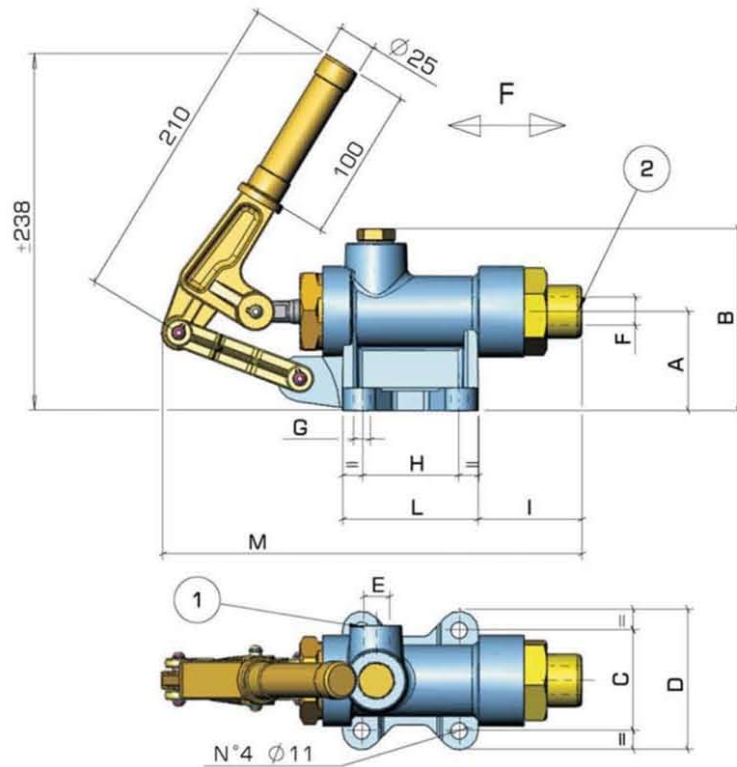
Weight Kg. ~ 5,3 - 6,5

1 Pressure port
2 Suction



Mounting :

Any position.



TYPE	A	B	C	D	E	F	G	H	I	L	M
GL 20-25-28-30-35	67	120	66	95	3/8" gas	1/2" gas	11	63	68	89	285
GL 40-45	71	137	71	102	1/2" gas	1/2" gas	11	73	71	104	295

TYPE	DELIVERY Cc	PRESSURE Bar
GL 20	18	460
GL 25	29	320
GL 28	36	250
GL 30	42	220
GL 35	57	160
GL 40	87	120
GL 45	111	90

Authorized by the Italian Ministry of Mercantile Marine with Nr. 47/1988 and 48/1988.
Authorized Italian Navy Register (RINA) nr. 17874

Dimensions and characteristics not binding. Modifications reserved without prior notice.