

Part number:

HYDROMA

HYDRAULICKÉ SYSTÉMY

**HIDROMA
SYSTEMS**

UKŁADY HYDRAULICZNE

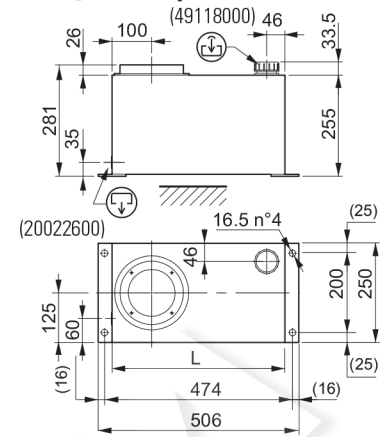
HYDROMA

ГИДРАВЛИЧЕСКИЕ СИСТЕМЫ

* ** * (*) ** * - **Rectangular tanks - Sheet steel, capacity 25 liters - Vertical mounting (black painted)**

Capacity	Features	Mounting	Variant (1)	L (mm)	Capacity (liters)			Tank (with plugs)	Tank fixing kit (screws and O-Ring)
					Nominal	Full	Usable		
25	E	(V)	00	436	25	25	22	90310071	17010086

(1) Variant - OMIT if without tank but with tubes kit



(..) spare parts

Other variants

Variant	Tank	Variant	Tank	Variant	Tank	Variant	Tank
25 E (V) 01	90310124						