

62 200/107 ED



MZD

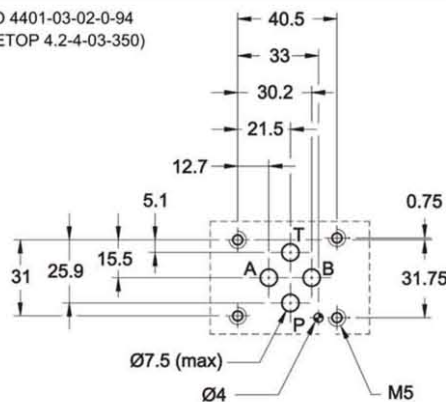
DIRECT OPERATED THREE-WAY PRESSURE REDUCING VALVE WITH FIXED OR VARIABLE ADJUSTMENT

MODULAR VERSION

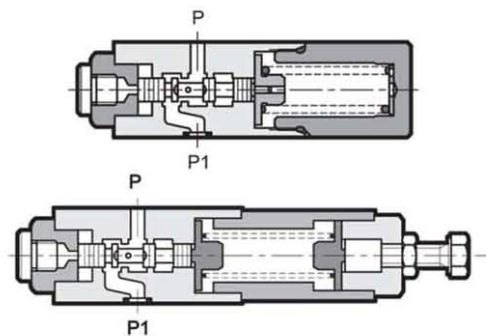
ISO 4401-03 (CETOP 03)

p max 350 bar**Q** max (see table of performances)

MOUNTING INTERFACE

ISO 4401-03-02-0-94
(CETOP 4.2-4-03-350)

OPERATING PRINCIPLE



— The MZD valve is a three-way spool type direct operated pressure reducing valve. It is normally open in the rest position and the hydraulic fluid passes freely from the P1 line to the P line.

The spool is subjected to the line P pressure on one side, and on the other side by the adjustment spring. When the pressure in line P exceeds the value set by the spring, the valve closes until the pressure in P (reduced) equals the calibrated value.

— The valve construction provides good adjustment sensitivity with reduced drainage flow. The drainage is connected to line T inside the valve.

— The three-way design provides protection of the secondary circuit from pressure surges since it allows a reverse flow from the actuator to the T discharge line.

— It is made as a modular version with ports according to the ISO 4401 (CETOP RP 121H) standards and can be assembled quickly, without use of pipes, under the ISO 4401-03 (CETOP 03) solenoid valves.

— The variable adjustment version is supplied with a hexagonal head adjustment screw. Upon request, it can be equipped with a SICBLOC adjustment knob.

— The fixed adjustment version is available set at value 20, 25 or 30 bar pressure.

CONFIGURATIONS (see Hydraulic symbols at par.1)

- MZD*: pressure reduction on line P, drainage connected with line T.
- MZD*/A and MZD*/RA: pressure reduction on line A toward the actuator and maximum pressure in line B, drainage connected with line T.
- MZD*/B and MZD*/RB: pressure reduction on line B toward the actuator and maximum pressure in line A, drainage connected with line T.

PERFORMANCES (measured with mineral oil of viscosity 36cSt at 50°C)

Maximum operating pressure	bar	350
Maximum pressure on port T		10
Maximum flow rate in the controlled lines	l/min	50
Maximum flow rate in the free lines		75
Drainage flow rate		≤ 0,08
Ambient temperature range	°C	-20 / +50
Fluid temperature range	°C	-20 / +80
Fluid viscosity range	cSt	10 + 400
Fluid contamination degree	According to ISO 4406:1999 class 20/18/15	
Recommended viscosity	cSt	25
Mass:	kg	1,4

MZD

1 - IDENTIFICATION CODE OF MZD VARIABLE ADJUSTMENT VERSION

M	Z	D	/	/	/	/
----------	----------	----------	---	---	---	---

Size: ISO 4401-03 (CETOP 03)
Modular version

Direct operated pressure reducing valve

Pressure adjustment range:
 2 = 3 + 35 bar 4 = 30 + 140 bar
 3 = 10 + 70 bar 5 = 50 + 280 bar

Configurations
(omit for MZD with pressure reduction on line P and regulation unit on side B)

A: pressure reduction on line A and full pressure on line B with regulation unit on side B
B: pressure reduction on line B and full pressure on line A with regulation unit on side B
RP: pressure reduction on line P with regulation unit on side A
RA: pressure reduction on line A and full pressure on line B with regulation unit on side A
RB: pressure reduction on line B and full pressure on line A with regulation unit on side A

Seals:
omit for mineral oils
V = viton for special fluids

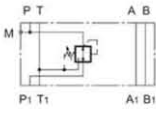
Series No.:
50 - for MZD*, MZD*/RP, MZD*/A, MZD*/RA, MZD*/B valves
51 - for MZD*/RB valves
 (the overall and mounting dimensions remain unchanged from 50 to 59)

M = Adjustment with SICBLOC knob
(omit for adjustment with hexagonal head screw)

Hydraulic symbols

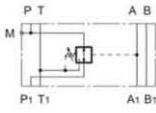
MZD*

MZD*/RP



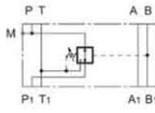
MZD*/A

MZD*/RA



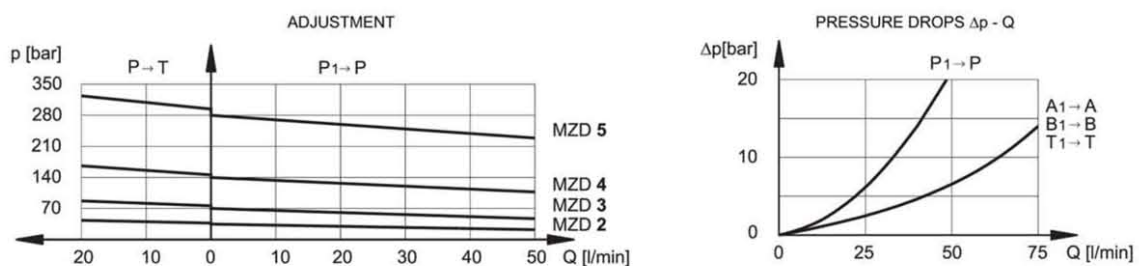
MZD*/B

MZD*/RB



NOTE: the versions RP, RA and RB have been realised with regulation unit on side A, so as to be interchangeable with valves produced by other companies.
The standard version is equipped with regulation unit on side B.

2 - MZD VARIABLE ADJUSTMENT VERSION CHARACTERISTIC CURVES (values obtained with viscosity of 36 cSt at 50°C)



Part number:

093-10042c

HYDROMA

HYDRAULICKÉ SYSTÉMY

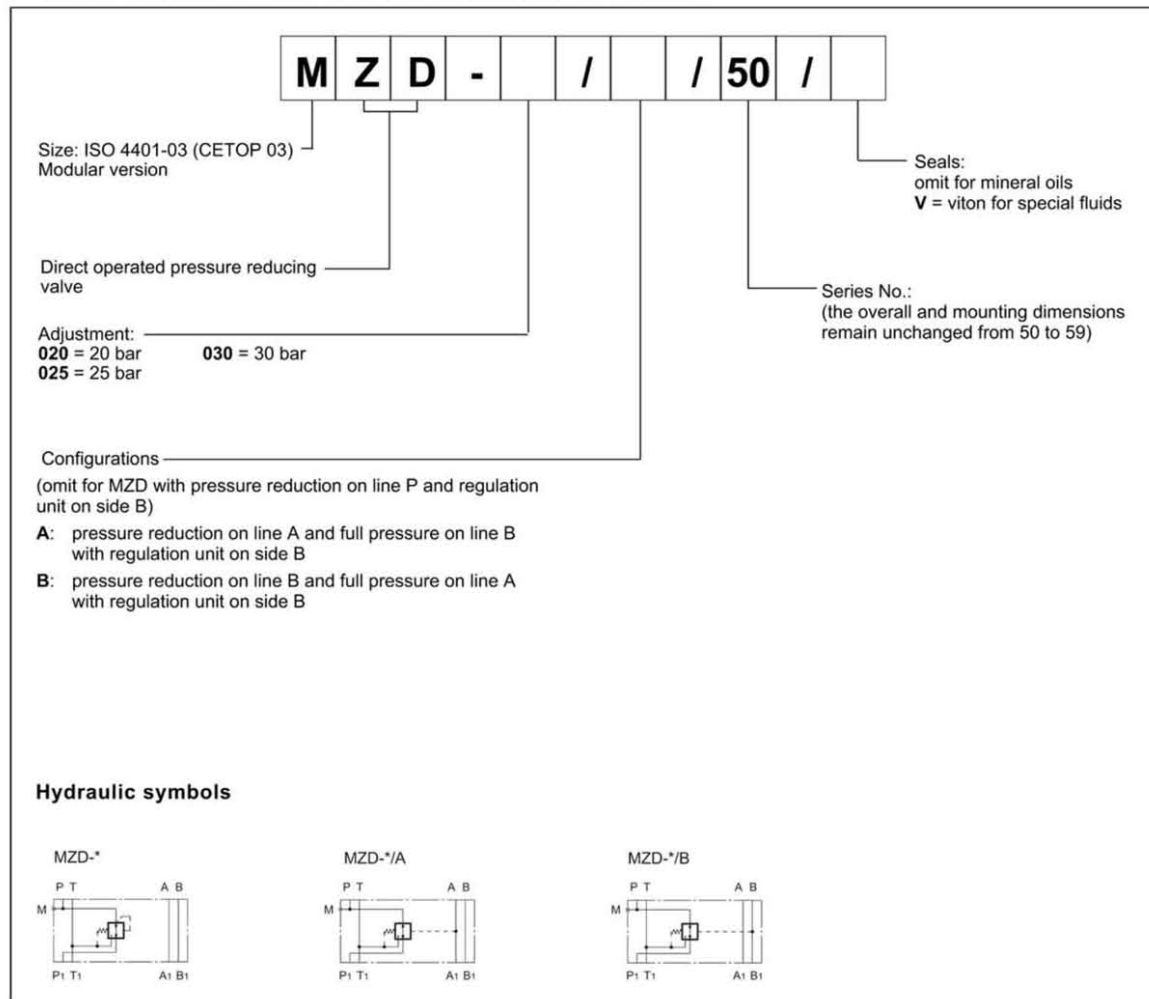
**HIDROMA
SISTEMS**

UKŁADY HYDRAULICZNE

HYDROMA

ГИДРАВЛИЧЕСКИЕ СИСТЕМЫ

3 - IDENTIFICATION CODE OF MZD FIXED ADJUSTMENT VERSION



4 - HYDRAULIC FLUIDS

Use mineral oil-based hydraulic fluids HL or HM type, according to ISO 6743-4. For these fluids, use NBR seals. For fluids HFDR type (phosphate esters) use FPM seals (code V). For the use of other kinds of fluid such as HFA, HFB, HFC, please consult our technical department. Using fluids at temperatures higher than 80 °C causes a faster degradation of the fluid and of the seals characteristics. The fluid must be preserved in its physical and chemical characteristics.

Part number:

093-10042d

HYDROMA

HYDRAULICKÉ SYSTÉMY

**HIDROMA
SISTEMS**

UKŁADY HYDRAULICZNE

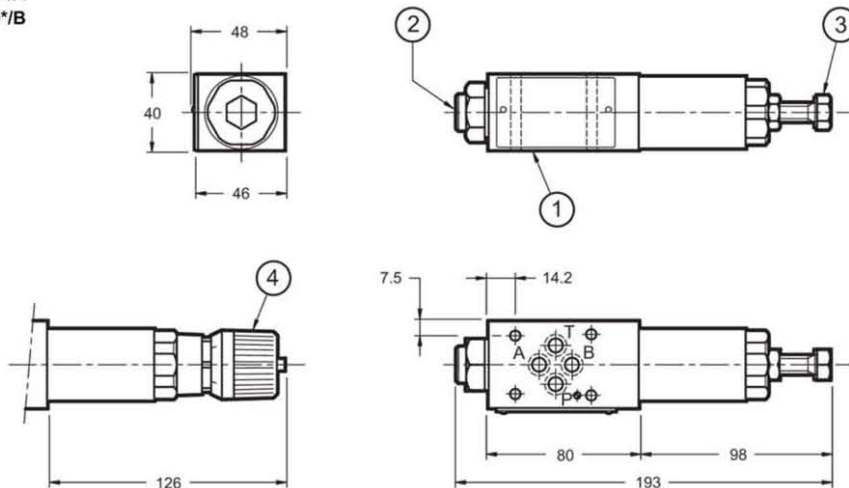
HYDROMA

ГИДРАВЛИЧЕСКИЕ СИСТЕМЫ

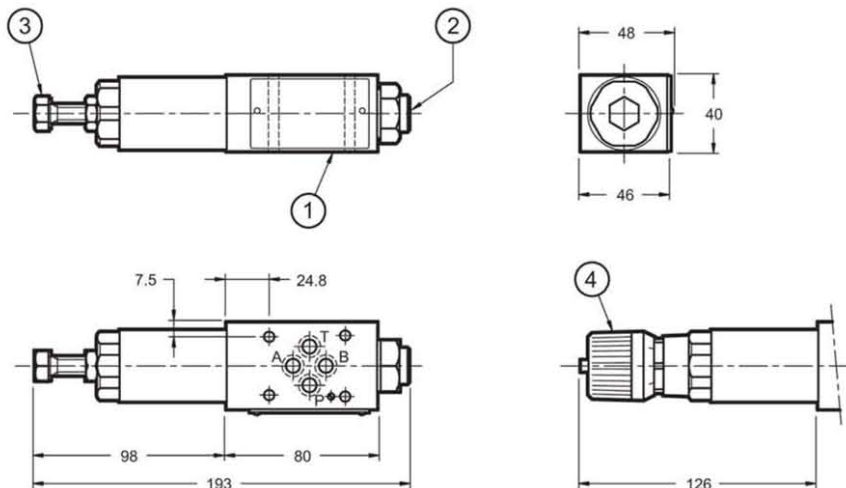
MZD

5 - OVERALL AND MOUNTING DIMENSIONS VARIABLE ADJUSTMENT VERSION

MZD*
MZD*/A
MZD*/B



MZD*/RP
MZD*/RA
MZD*/RB



dimensions in mm

1	Mounting surface with sealing rings: 4 OR type 2037 (9.25x1.78) 90 Shore
2	Pressure gauge port 1/4" BSP
3	Hexagonal head adjustment screw. Spanner 17. Rotate clockwise to increase pressure
4	SICBLOC knob. To operate, push and rotate at the same time.

Part number:

093-10042e

HYDROMA

HYDRAULICKÉ SYSTÉMY

**HIDROMA
SYSTEMS**

UKŁADY HYDRAULICZNE

HYDROMA

ГИДРАВЛИЧЕСКИЕ СИСТЕМЫ

MZD

6 - OVERALL AND MOUNTING DIMENSIONS FIXED ADJUSTMENT VERSION

