

Part number:

HYDROMA

HYDRAULICKÉ SYSTÉMY

**HIDROMA
SISTEMS**

UKŁADY HYDRAULICZNE

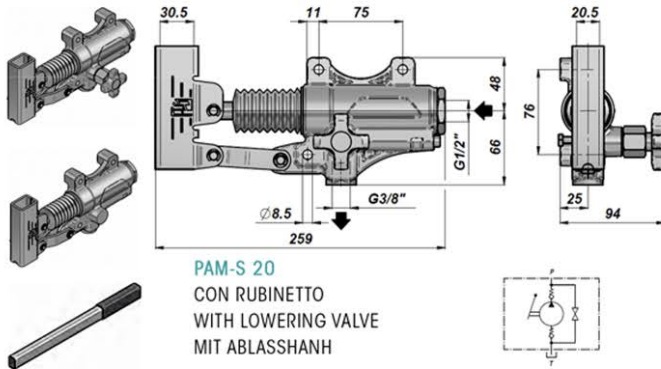
HYDROMA

ГИДРАВЛИЧЕСКИЕ СИСТЕМЫ

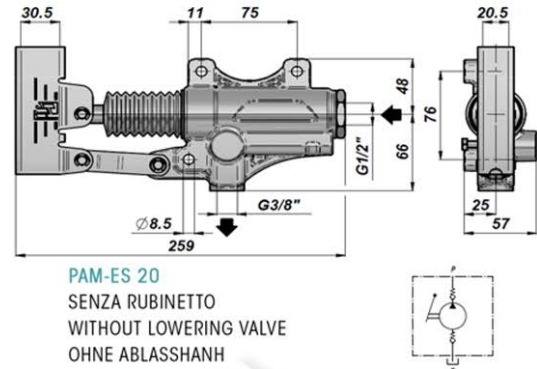
**POMPE A MANO E SERBATOI
HAND PUMPS AND TANKS - HANDPUMPEN UND TANKS**

PAM-S 20 PAM-ES20

**POMPA A MANO - NON PREDISPOSTA PER SERBATOIO
HAND PUMP - NOT SUITABLE FOR OIL TANK
HANDPUMPE - OHNE TANKEINRICHTUNG**



PAM-S 20
CON RUBINETTO
WITH LOWERING VALVE
MIT ABLASSHANH



PAM-ES 20
SENZA RUBINETTO
WITHOUT LOWERING VALVE
OHNE ABLASSHANH

OPTIONAL

| Codice Code Bestell-Nr. | Tipo Type Typ | cm ³ /ciclo cm ³ /cycle cm ³ /Hub | P MAX bar | kg | Codice Code Bestell-Nr. | Dimensioni Sizes Größe | kg |
|-------------------------|---------------|--|-----------|------|---------------------------|------------------------|------|
| PAM0142001 | PAM-S 20 | 20 | 350 | 2,76 | PAM0290000 | 20x30x600 | 0,71 |
| PAM0142003 | PAM-ES 20 | 20 | 350 | 2,73 | LEVA - HAND LEVER - HEBEL | | |

LEVA FORNITA A PARTE - LEVER SUPPLIED SEPARATELY - DER HEBEL WIRD SEPARAT GELIEFERT

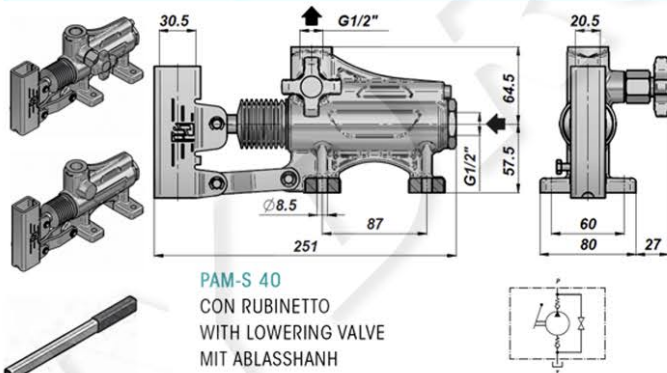
Funzionamento D.E. per cilindro S.E. - Double-stroke for a S.A. cylinder - DW Handpumpe für EW Zylinder
Temperatura d'esercizio - Working temperature - Temperaturbereich: -20°C + 80°C

A RICHIESTA - ON REQUEST - AUF ANFRAGE:

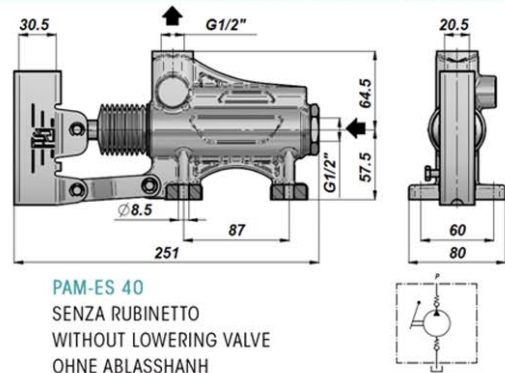
- PAM-SV - PAM-ESV = VALVOLA DI MAX. PRESSIONE INCORPORATA - BUILT-IN PRESSURE RELIEF VALVE - MIT DRUCKBEGRENZUNGSVENTIL (150 bar)
- PAMX-S - PAMX-ES = SUPPORTO PER LEVA TONDA - ROUND LEVER HOLDER - TRÄGER FÜR RUNDEN HEBEL
- PM00290100 = LEVA TONDA - ROUND LEVER - RUNDEN HEBEL : ø27 L-600 (PAMX)
- FPM = O-RING: VITON
- WMQ = O-RING: FLUOROSILICONE - FLUORINE-SILICONE - FLUORSILIKON

PAM-S 40 PAM-ES 40

**POMPA A MANO - NON PREDISPOSTA PER SERBATOIO
HAND PUMP - NOT SUITABLE FOR OIL TANK
HANDPUMPE - OHNE TANKEINRICHTUNG**



PAM-S 40
CON RUBINETTO
WITH LOWERING VALVE
MIT ABLASSHANH



PAM-ES 40
SENZA RUBINETTO
WITHOUT LOWERING VALVE
OHNE ABLASSHANH

OPTIONAL

| Codice Code Bestell-Nr. | Tipo Type Typ | cm ³ /ciclo cm ³ /cycle cm ³ /Hub | P MAX bar | kg | Codice Code Bestell-Nr. | Dimensioni Sizes Größe | kg |
|-------------------------|---------------|--|-----------|------|---------------------------|------------------------|------|
| PAM0144001 | PAM-S 40 | 42 | 280 | 3,28 | PAM0290000 | 20x30x600 | 0,71 |
| PAM0144003 | PAM-ES 40 | 42 | 280 | 3,22 | LEVA - HAND LEVER - HEBEL | | |

LEVA FORNITA A PARTE - LEVER SUPPLIED SEPARATELY - DER HEBEL WIRD SEPARAT GELIEFERT

Funzionamento D.E. per cilindro S.E. - Double-stroke for a S.A. cylinder - DW Handpumpe für EW Zylinder
Temperatura d'esercizio - Working temperature - Temperaturbereich: -20°C + 80°C

A RICHIESTA - ON REQUEST - AUF ANFRAGE:

- PAM-SV - PAM-ESV = VALVOLA DI MAX. PRESSIONE INCORPORATA - BUILT-IN PRESSURE RELIEF VALVE - MIT DRUCKBEGRENZUNGSVENTIL (150 bar)
- PAMX-S - PAMX-ES = SUPPORTO PER LEVA TONDA - ROUND LEVER HOLDER - TRÄGER FÜR RUNDEN HEBEL
- PM00290100 = LEVA TONDA - ROUND LEVER - RUNDEN HEBEL : ø27 L-600 (PAMX)
- FPM = O-RING: VITON
- WMQ = O-RING: FLUOROSILICONE - FLUORINE-SILICONE - FLUORSILIKON