

Part number:

HYDROMA

HYDRAULICKÉ SYSTÉMY

**HIDROMA
SYSTEMS**

UKŁADY HYDRAULICZNE

HYDROMA

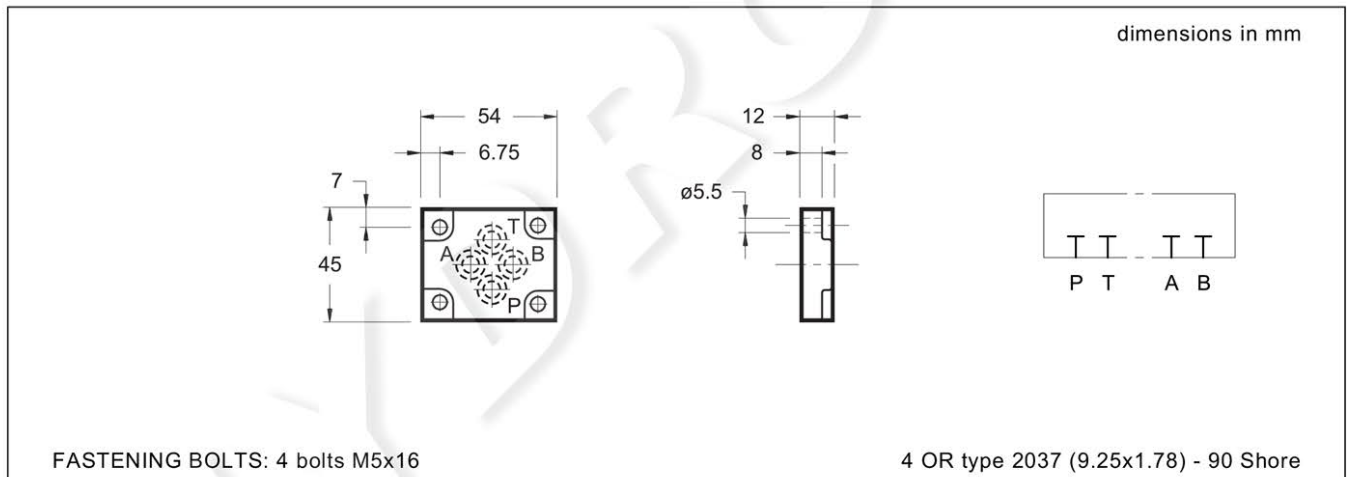
ГИДРАВЛИЧЕСКИЕ СИСТЕМЫ

59 000/110 ED

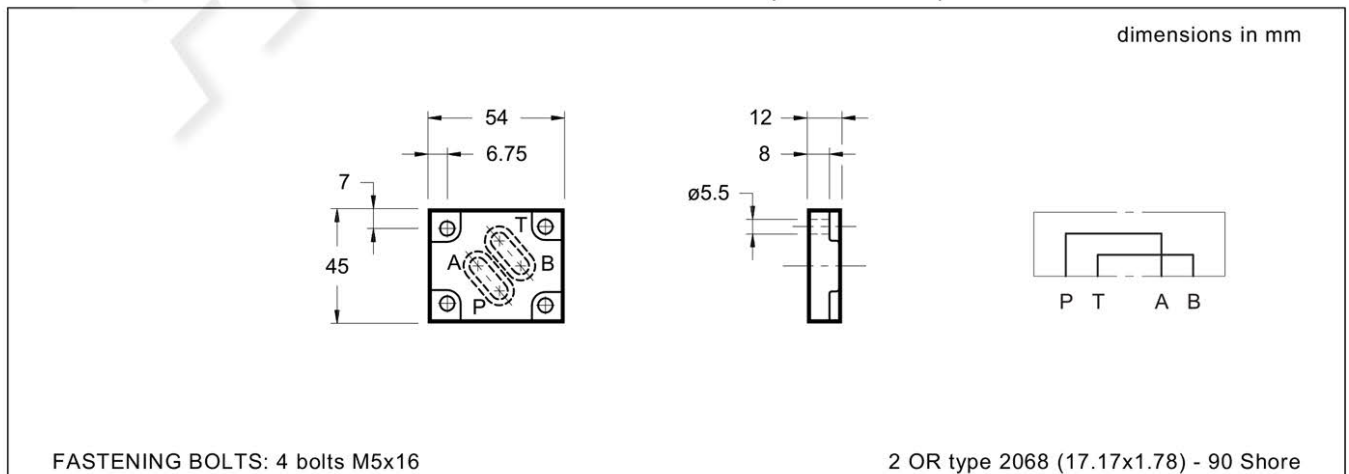
PE BLANKING PLATE

p max 350 bar

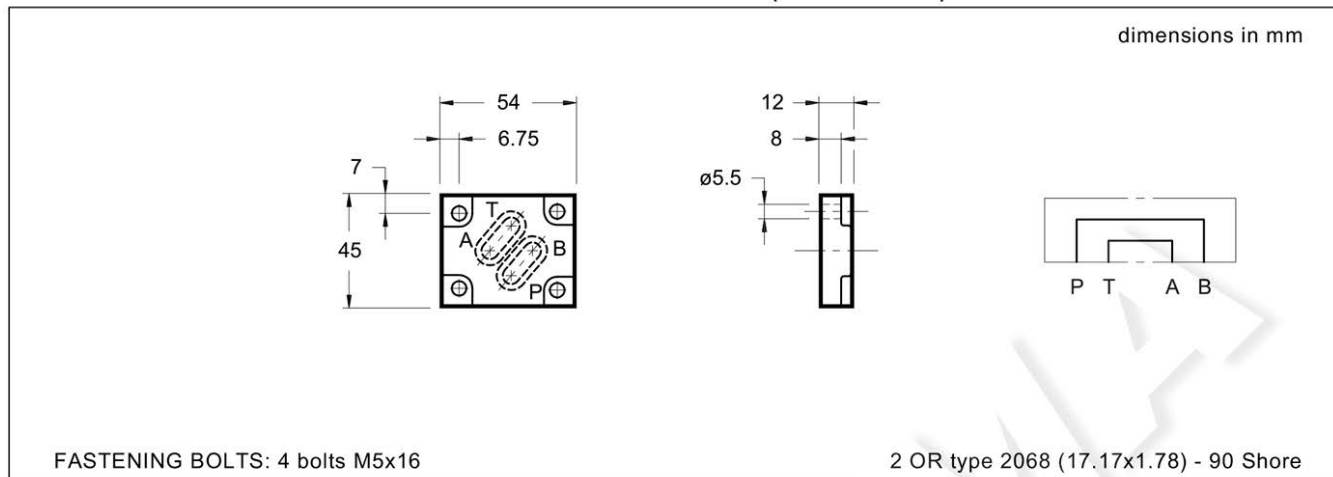
1 - OVERALL AND MOUNTING DIMENSIONS PE-MD1/20 (cod. 1950591)



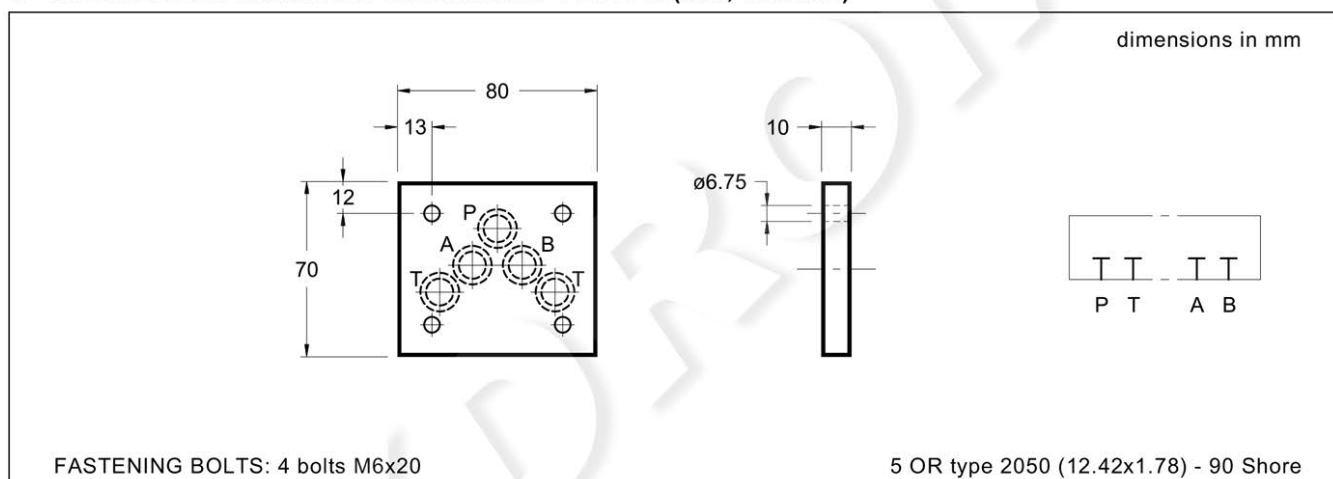
2 - OVERALL AND MOUNTING DIMENSIONS PE-C/PA/MD1/20 (cod. 1950751)



3 - OVERALL AND MOUNTING DIMENSIONS PE-C/PB/MD1/20 (cod. 1950601)



4 - OVERALL AND MOUNTING DIMENSIONS PE/D4-M (cod, 1950042)



5 - OVERALL AND MOUNTING DIMENSIONS PC-D4/MD1-M (cod. 1950222)

