

Part number:

HYDROMA

HYDRAULICKÉ SYSTÉMY

**HIDROMA
SYSTEMS**

UKŁADY HYDRAULICZNE

HYDROMA

ГИДРАВЛИЧЕСКИЕ СИСТЕМЫ

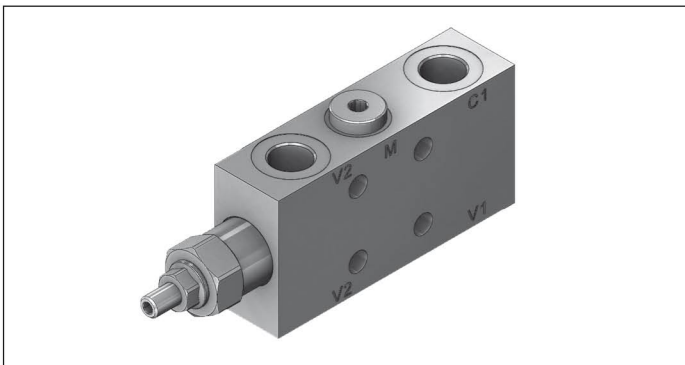
Single counterbalance

A-VBSO-SE30-FC1

08.39.62 - X - Y - Z

RE 18307-31

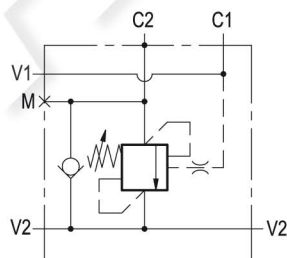
Edition: 03.2016



Description

When pressure at V2 rises above the spring bias pressure, the check seat is pushed away from the piston and flow is allowed from V2 to C2. When load pressure at C2 rises above the pressure setting, the direct operated relief function is activated and flow is relieved from C2 to V2. With pilot pressure at V1-C1, the pressure setting is reduced in proportion to the stated ratio of the valve, until opening and allowing flow from C2 to V2. The spring chamber is drained to V2, and any back-pressure at V2 is additive to the pressure setting in all functions. For safety and compactness, the C2 port is gasket mounted the actuator.

Note: port identified with M are not protected with calibrated orifice but in direct connection with pressure channels.



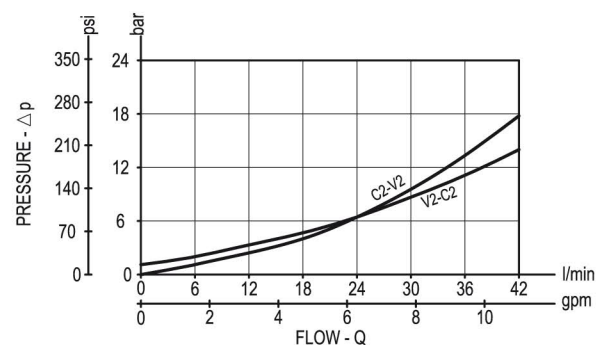
Technical data

Max. operating pressure	410 bar (5945 psi)
Max. flow	see performance graph
Weight	see "Dimensions"
Manifold material	Zinc plated steel
Flange seal kit ¹⁾	E000000000000.. (R93000....)
Fluid	Mineral oil (HL, HLP) according DIN 51524
Fluid temperature range	-30 °C to 100 (-22 to 212 °F)
Viscosity range	5 to 800 mm ² /s (cSt)
Recommended degree of fluid contamination	Class 19/17/14 according to ISO 4406
Other technical data	see data sheet 18350-50
Relief setting:	at least 1.3 times the load induced pressure.

Note: for applications outside these parameters, please consult us.

¹⁾ Seals for .. valves.

Characteristic curve



Ordering code

08.39.62	X	Y	Z
-----------------	----------	----------	----------

Single counterbalance, vented

Pilot ratio

= 03 4.2:1

Port sizes	V1-V2-C1	C2	M
= 02	G 3/8	Ø 9	G 1/4
= 03	G 1/2	Ø 9	G 1/4

SPRINGS		
Adj. pressure range bar (psi)	Pres. increase bar/turn (psi/turn)	Std. setting Q=5 (l/min) bar (psi)
= 35 180-350 (2610-5000)	138 (2042)	350 (5000)

Pressure setting up to 410 bar: code on request.

Tamper resistant cap code
ordeting code 11.04.23.002
Mat. no. R930000752



Preferred types

Type	Material number
083962030235000	R930007078
083962030335000	R930007081

Type	Material number

Dimensions

Technical drawings showing front, side, and cross-sectional views of the valve. Dimensions are provided in mm (inches). Key features include: n°4 holes Ø F, O-Ring 10.77x2.62 (0.42x0.1), and various port labels (C1, V1, V2, C2, M).

17.5 (0.69)	34.5 (1.36)	30 (1.18)	57 (2.24)	71.8 (2.83)	18 (0.71)	109 (4.29)	3.5 (0.14)	47 (1.85)	4.8 (0.19)	30 (1.18)	65 (2.56)	8.5 (0.34)		G 1/2	1.68 (3.7)
15 (0.59)	29.5 (1.16)	30 (1.18)	57.3 (2.25)	70.3 (2.77)	18 (0.71)	109 (4.29)	3.5 (0.14)	45.5 (1.79)	4.8 (0.19)	30 (1.18)	55 (2.17)	8.5 (0.34)		G 3/8	1.26 (2.78)
S1	S	L4	L3	L2	L1	L	I1	I	H2	H1	H	F	Y	Weight	kg (lbs)